

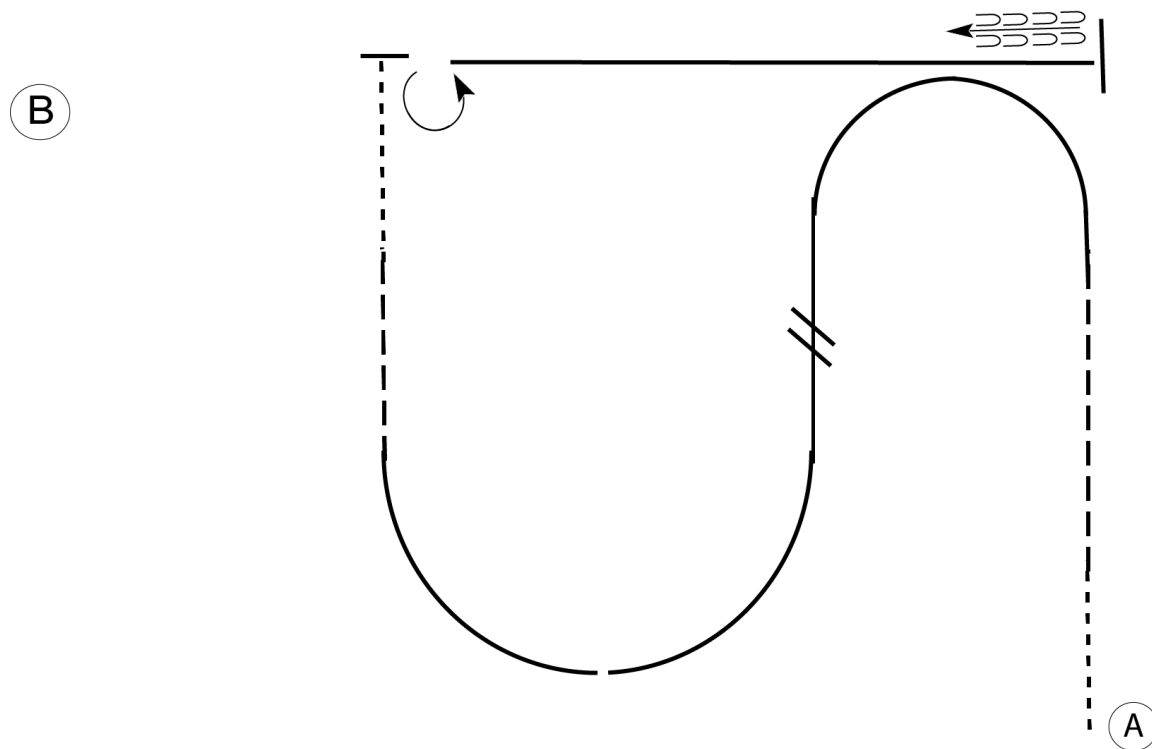
2024 NEGHC Fall Show

All WTC English Equitation

Show Date: 10-12-2024

w w w . H o r s e S h o w P a t t e r n s . c o m

w w w . H o r s e S h o w P a t t e r n s . c o m



Be ready at A. NOT BEING READY AT A WILL BE CONSIDERED LATE AND A MINUS MANEUVER.

1. Walk two horse lengths from A then trot on the right diagonal.
2. Left lead canter.
3. Perform a simple lead change.
4. Right lead in a half circle.
5. Sitting trot 3-4 strides.
6. Walk.
7. Stop and perform a 3/4 turn on the forehand left.
8. Canter right lead until even with A.
9. Halt and back approximately 5 steps.

Walk	-----
Trot	- - - - -
Extended Trot	- - - - -
Canter	—————
Leg Yield	
Lead Change	///
Back	←←←←←
Marker	(B)
Sidepass	←- - - ->
Hand Gallop	—————

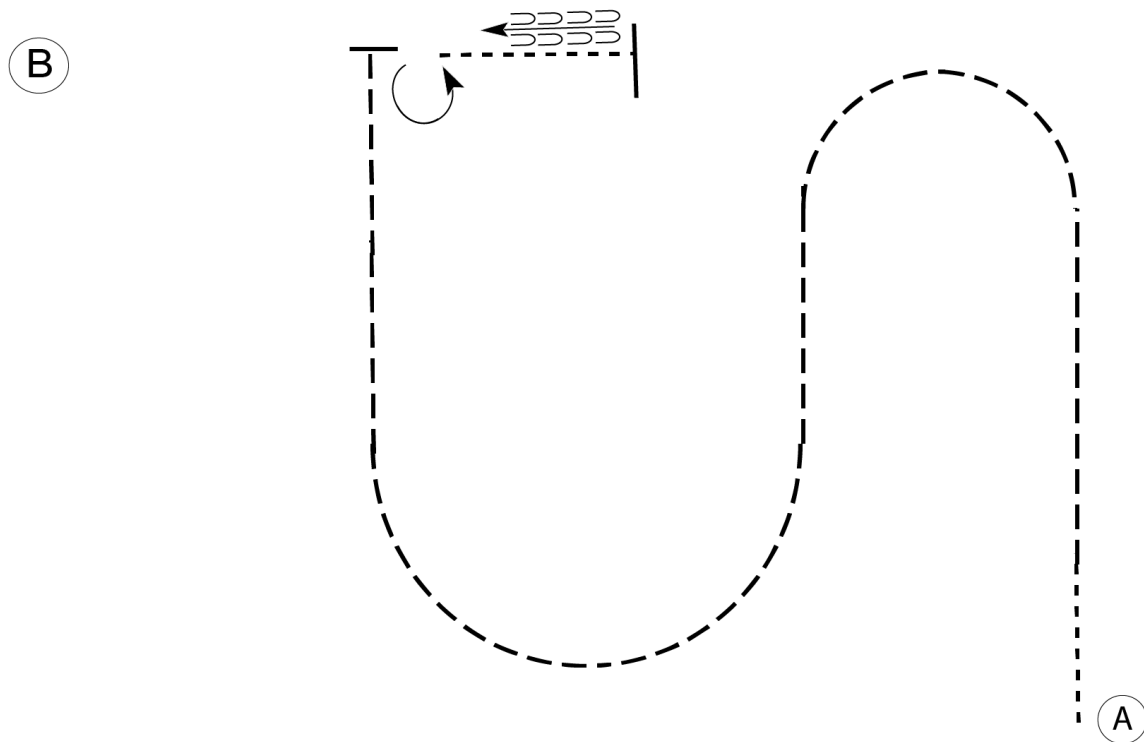
[HSE/1-117]

Pattern Provided by:
Show Management

2024 NEGHC Fall Show

All WT English Equitation

Show Date: 10-12-2024



Be ready at A. NOT BEING READY AT A WILL BE CONSIDERED LATE AND A MINUS MANEUVER.

1. Walk two horse lengths from A then trot on the right diagonal.
2. Change diagonals.
3. Trot left diagonal in half circle.
4. Sitting trot until even with B.
5. Stop and perform a 3/4 turn on the forehand left.
6. Walk FORWARD two horse lengths.
7. Halt and back approximately 5 steps.

Walk	-----
Trot	- - - - -
Extended Trot	— — — — —
Canter	—————
Leg Yield	
Lead Change	— / —
Back	← ← ← ← ←
Marker	ⓑ
Sidepass	← — — — — →
Hand Gallop	—————

[HSE/WT-117]

Pattern Provided by:
Show Management

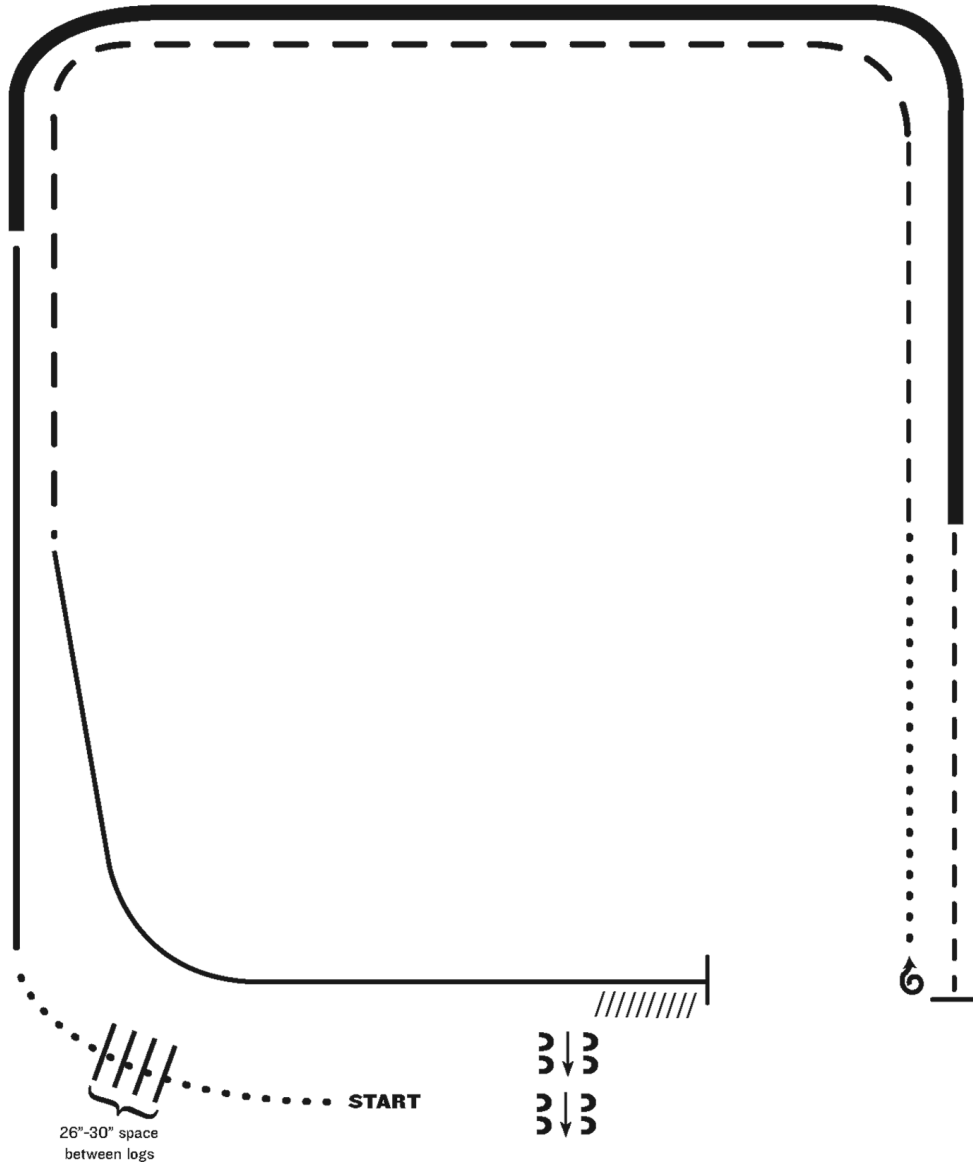
2024 NEGHC Fall Show

for WJ (Trot for Lope, Ex Trot for Ex Lope (Ranch Riding))

Show Date: 10-12-2024

www.HorseShowPatterns.com

www.HorseShowPatterns.com



1. Walk
2. Walk over logs
3. Lope right lead
4. Extended lope (right lead)
5. Trot
6. Stop, 1 1/2 turns right
7. Walk
8. Trot
9. Extended trot
10. Lope left lead
11. Stop and Back
12. Side pass right

Note: The drawn description of this pattern is only intended for the general depiction of the pattern. Exhibitors should utilize the arena space to best exhibit their horses.

[RR/AQHA-6]

Pattern Provided by:
Show Management

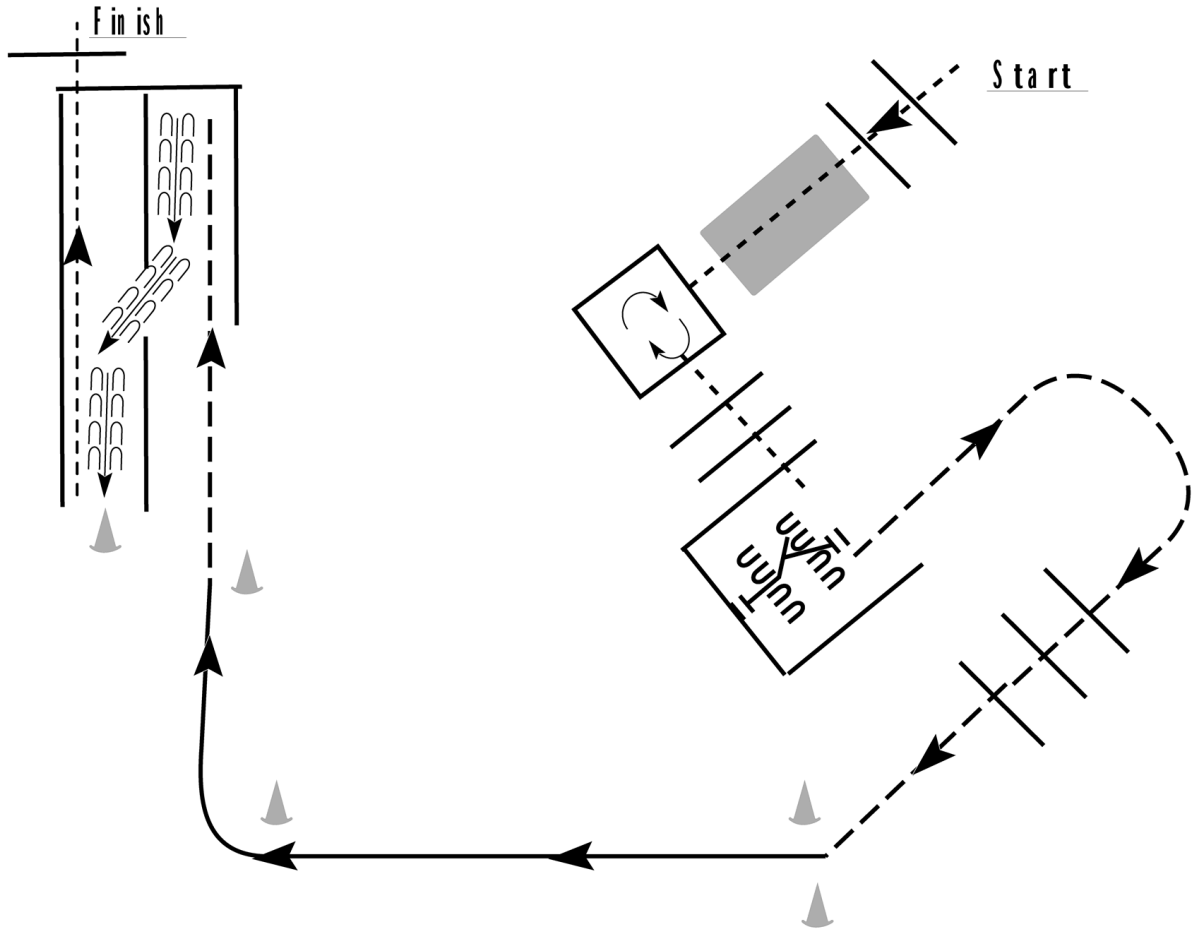
2024 NEGHC Fall Show

All WJL/WTC Trail

Show Date: 10-12-2024

www.HorseShowPatterns.com

www.HorseShowPatterns.com



1. Walk over poles, over bridge and into box.
2. Turn 3/4 turn to the right in box and walk out over poles and to gate.
3. Work gate with left hand.
4. Jog out of chute and over poles.
5. When between cones, pick up the right lead.
6. Lope on the right lead around cone.
7. When even with cone, break to a jog and jog into chute.
8. Back the chute then walk out and over final elevated pole.

Walk	-----
Jog	-----
Extended Jog	-----
Lope	-----
Leg Yield	
Lead Change	-----
Back	←←←←
Marker	(B)
Sidepass	←-----→

[T/1-30]

Pattern Provided by:
Show Management

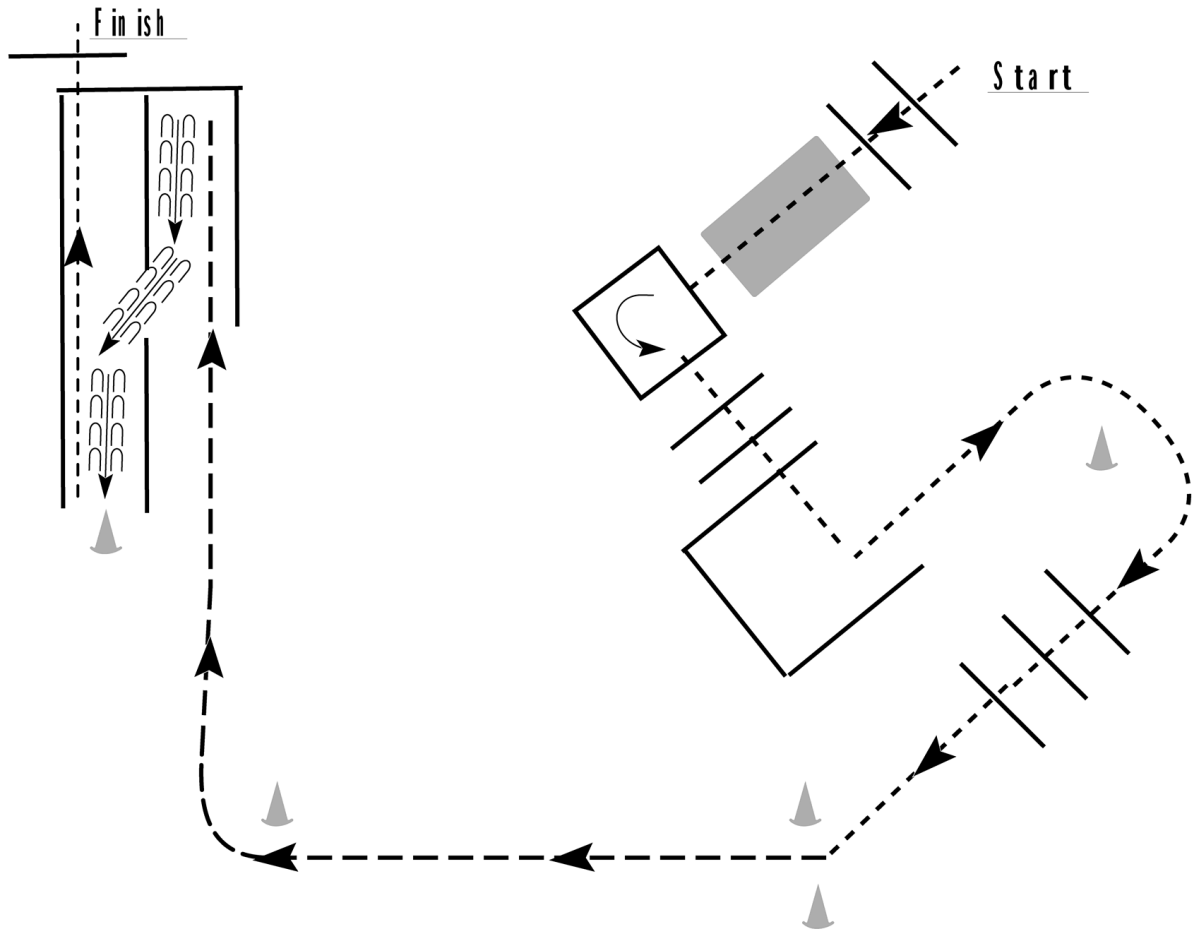
2024 NEGHC Fall Show

All In Hand and WT/WJ Trail

Show Date: 10-12-2024

www.HorseShowPatterns.com

www.HorseShowPatterns.com



1. Walk over poles, over bridge and into box.
2. Turn 1/4 turn to the left in box and walk out over poles.
3. Continue to walk around cone and over poles.
4. When between cones, begin to jog.
5. Jog around cone and into chute.
6. Back the chute then walk out and over final elevated pole.

Walk	-----
Jog	- - - - -
Extended Jog	— — — — —
Lope	—————
Leg Yield	
Lead Change	— / —
Back	← ← ← ← ←
Marker	(B)
Sidepass	← — — — — →

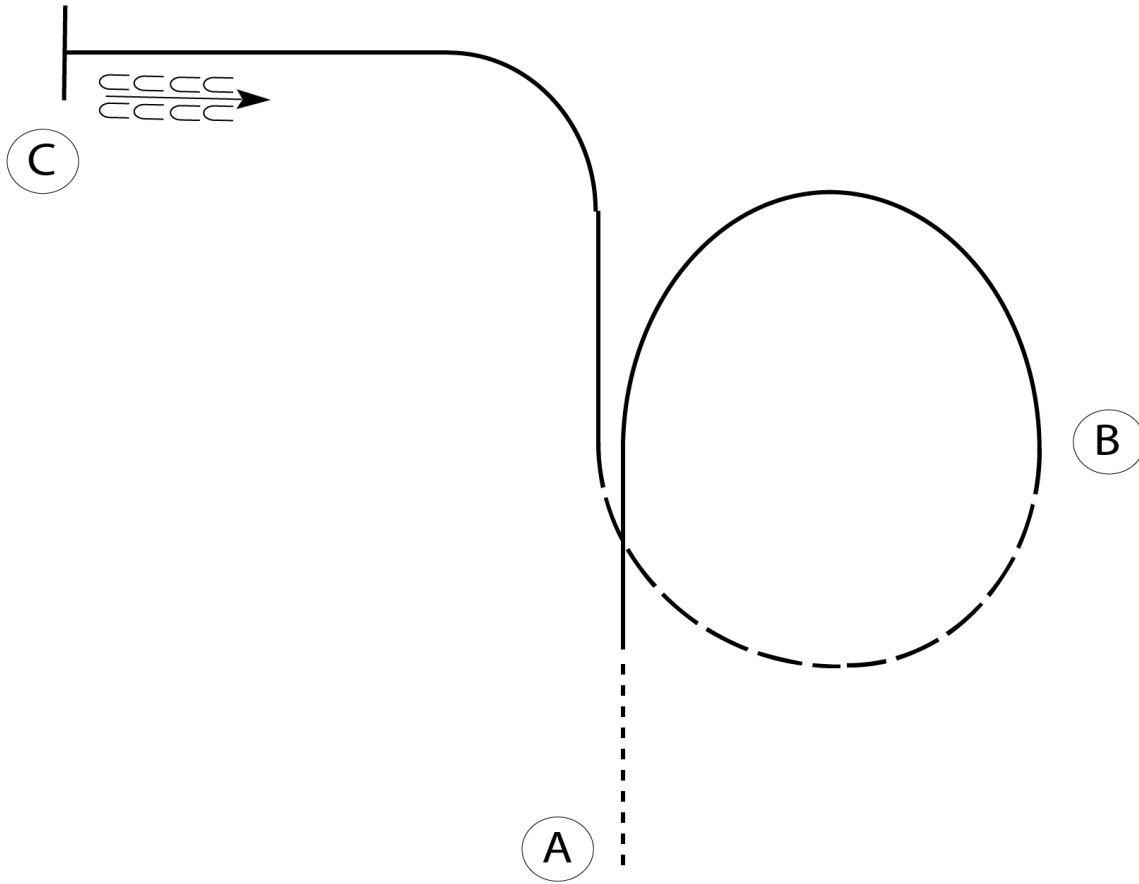
[T/WT-30]

Pattern Provided by:
Show Management

2024 NEGHC Fall Show

All WJL Western Horsemanship

Show Date: 10-12-2024



Be ready at A. Not being ready at A is considered LATE.

1. Walk FORWARD approximately 2 horse lengths from A.
2. Lope right lead until even with B.
3. Continue the lope in a half circle until even with B.
4. Extended jog to close the circle.
5. Left lead lope in an arc to C.
6. Stop and Back approximately 5 steps.
Pattern is complete.

Walk	-----
Jog	- - - - -
Extended Jog	— — — —
Lope	—————
Lead Change	⚡
Back	← ← ← ← ←
Marker	Ⓚ

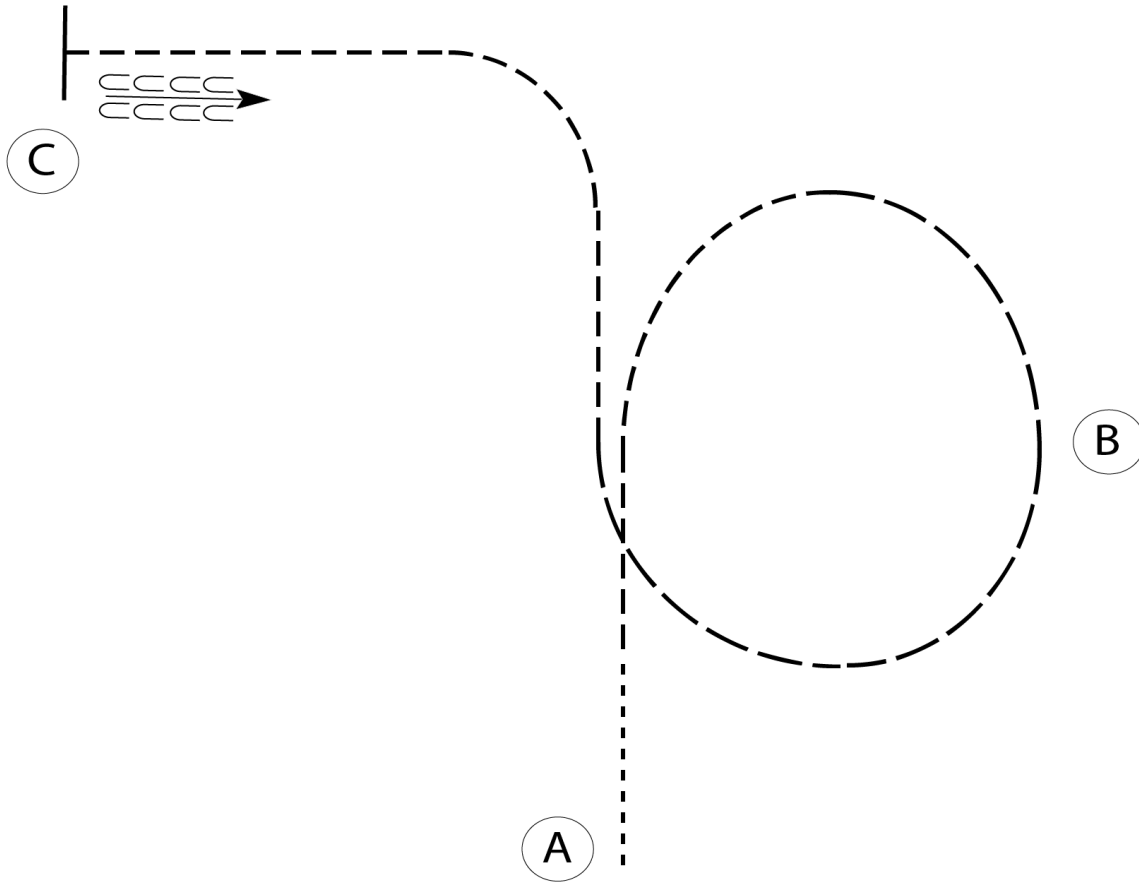
[WH/1-121]

Pattern Provided by:
Show Management

2024 NEGHC Fall Show

All WJ Western Horsemanship

Show Date: 10-12-2024



Be ready at A. Not being ready at A is considered LATE.

1. Walk FORWARD approximately 2 horse lengths from A.
2. Jog until even with B.
3. Continue to jog a 1/4 circle.
4. Extended jog 3/4 circle to close the circle.
5. Jog in an arc to C.
6. Stop and Back approximately 5 steps.
Pattern is complete.

Walk
Jog	-----
Extended Jog	-----
Lope	—————
Lead Change	———/———
Back	←——— ———
Marker	ⓑ

[WH/WT-121]

Pattern Provided by:
Show Management